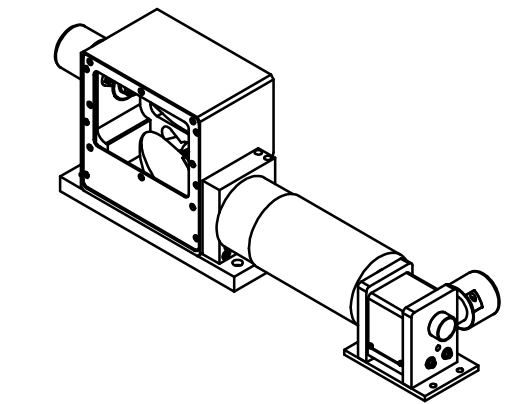
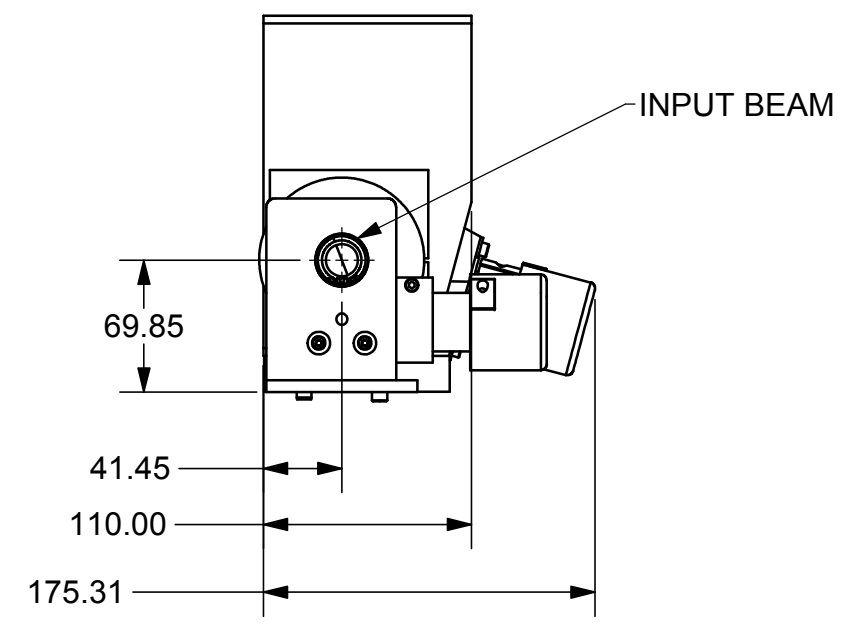
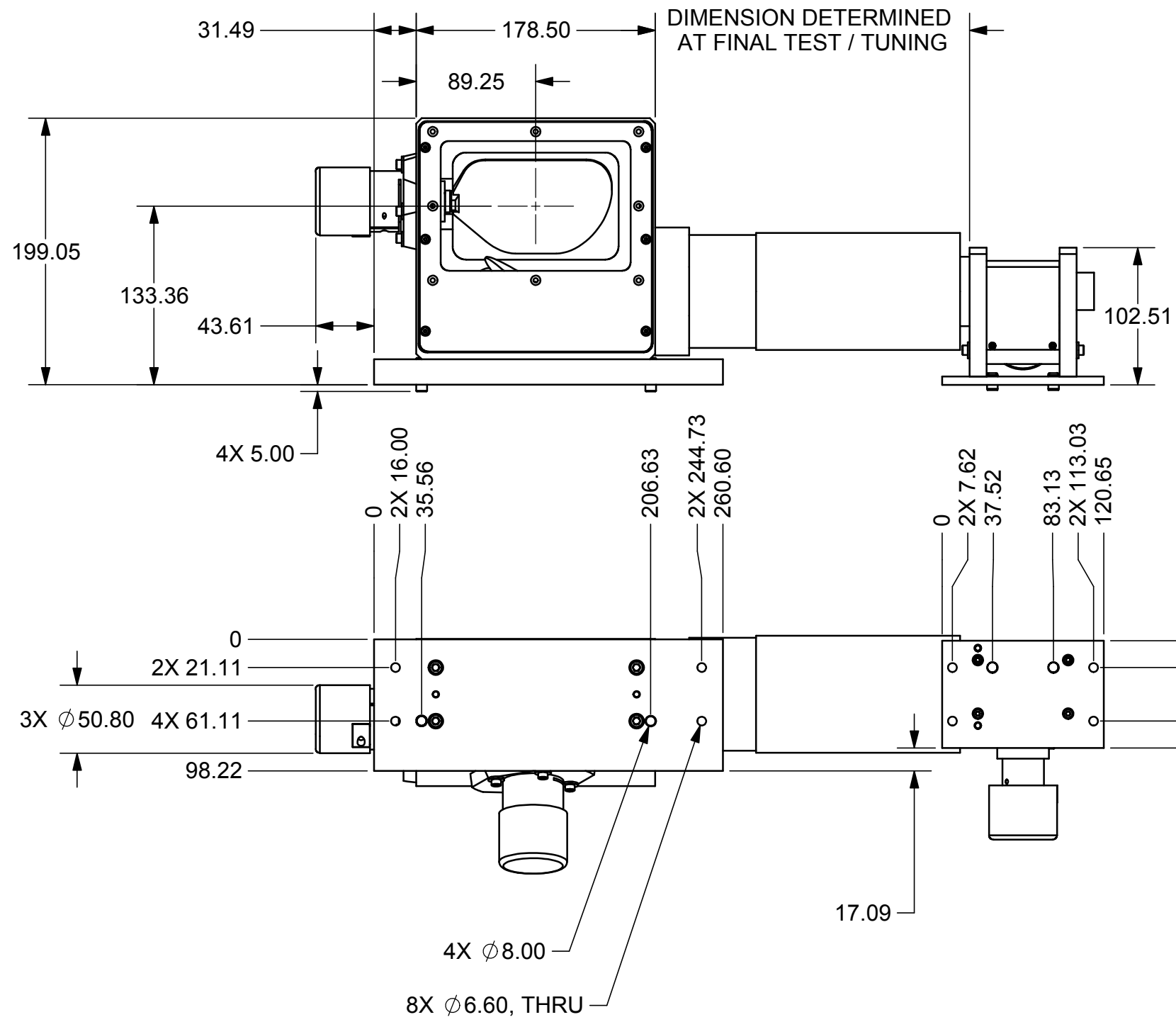


P U V Ö Ü K
 F È Ö S S Ä Ö Q Ö P Û Q P Ü Ä Ö Ö Ä Ü Ö Ö Ö Ü Ö P Ö Ö Ä Ü P S Y È

30mm Configuration

For Reference Only
Do NOT use for your design!

Contact CTI for the latest information on the product of your interest.



NOTES:
1. ALL DIMENSIONS ARE REFERENCE ONLY.

50mm Configuration

For Reference Only
Do NOT use for your design!

Contact CTI for the latest information on the product of your interest.