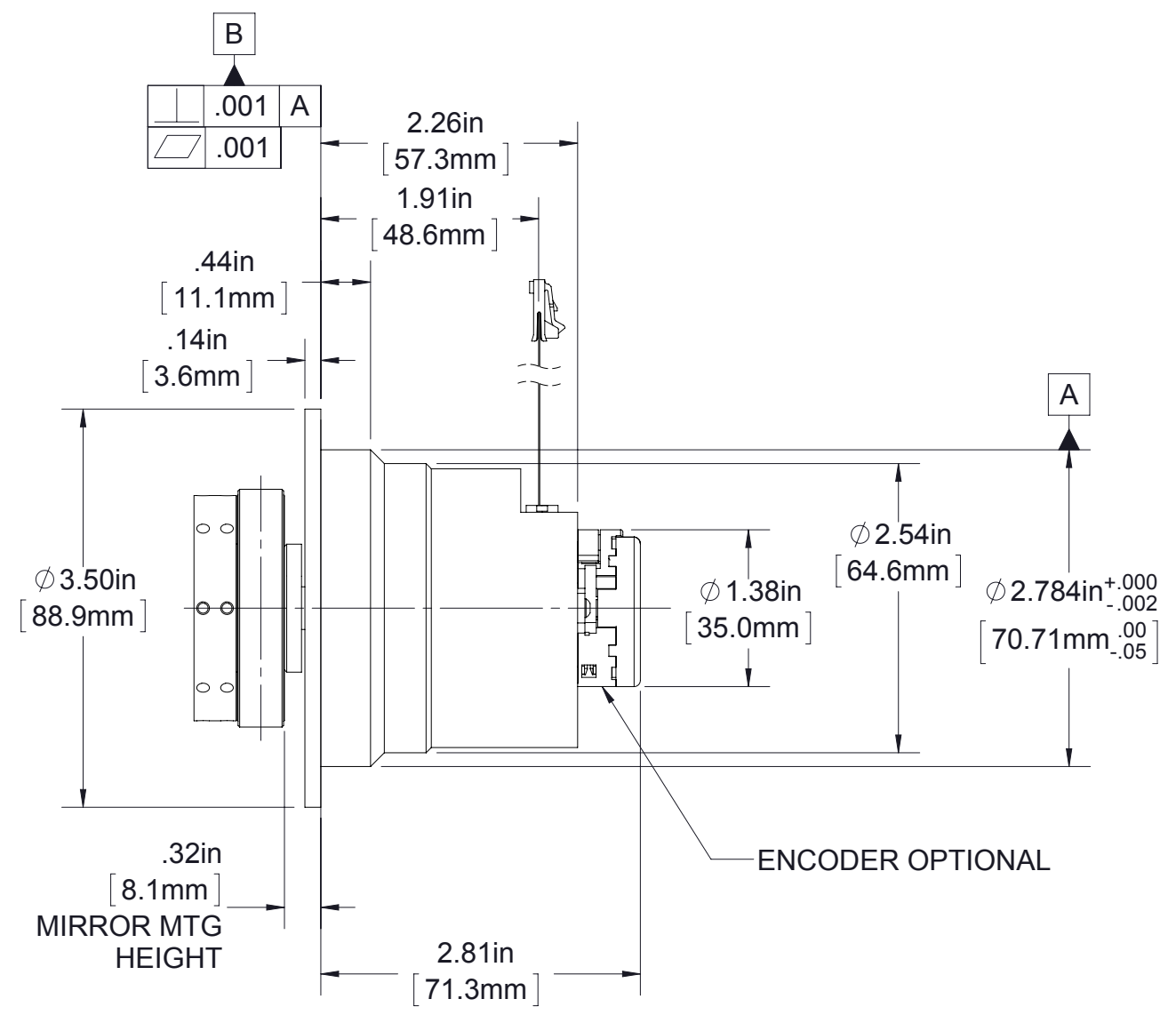
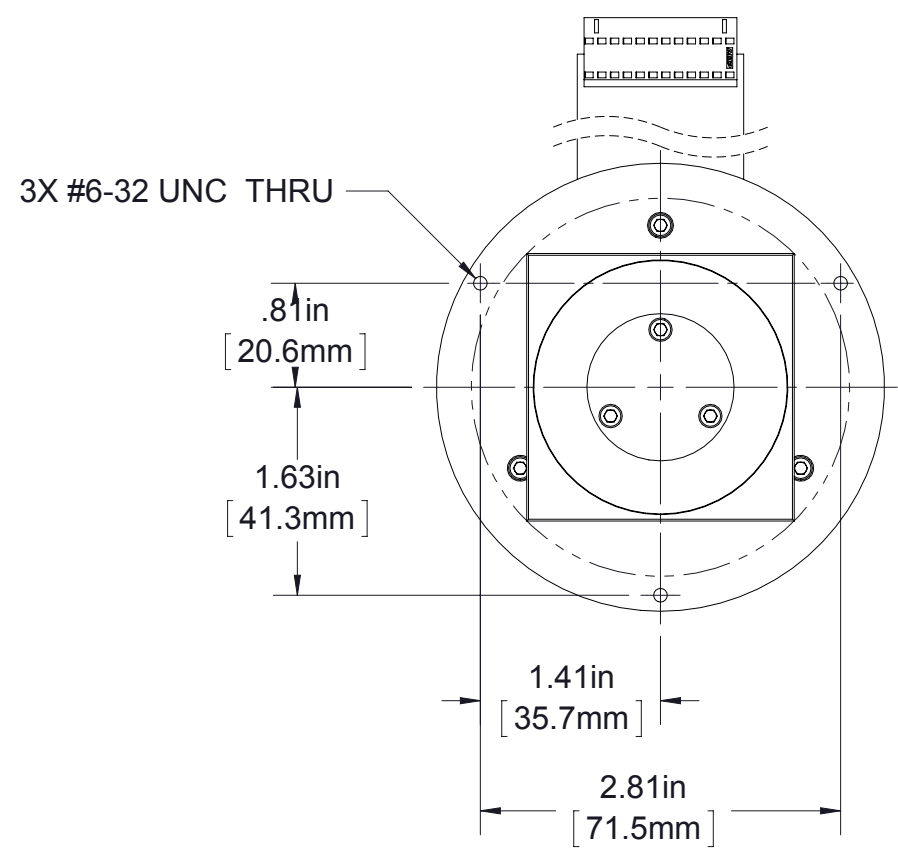
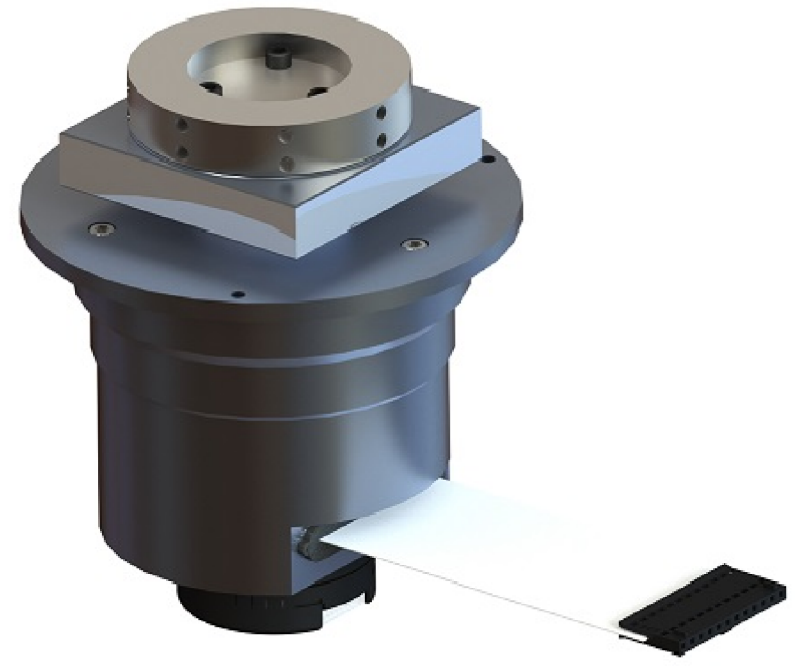


8 7 6 5 4 3 2 1

D  
C  
B  
A



<b>Model</b>	SB5C
<b>Min Speed (RPM)</b>	300
<b>Max Speed (RPM)</b>	15,000
<b>Mirror Size Thick x Dia. (Max Inches)</b>	1.00 X 3.00
<b>Bearing Type</b>	Ball Bearing
<b>Housing Type</b>	Cantilevered
<b>Dynamic Track (Arc Sec)</b>	≤20
<b>Speed Stability (dep. on speed)</b>	< 0.02%
<b>Encoder Available</b>	Yes



"ALL SPECIFICATIONS SUBJECT TO CHANGE WITHOUT NOTICE"



SB5C

8 7 6 5 4 3 2 1