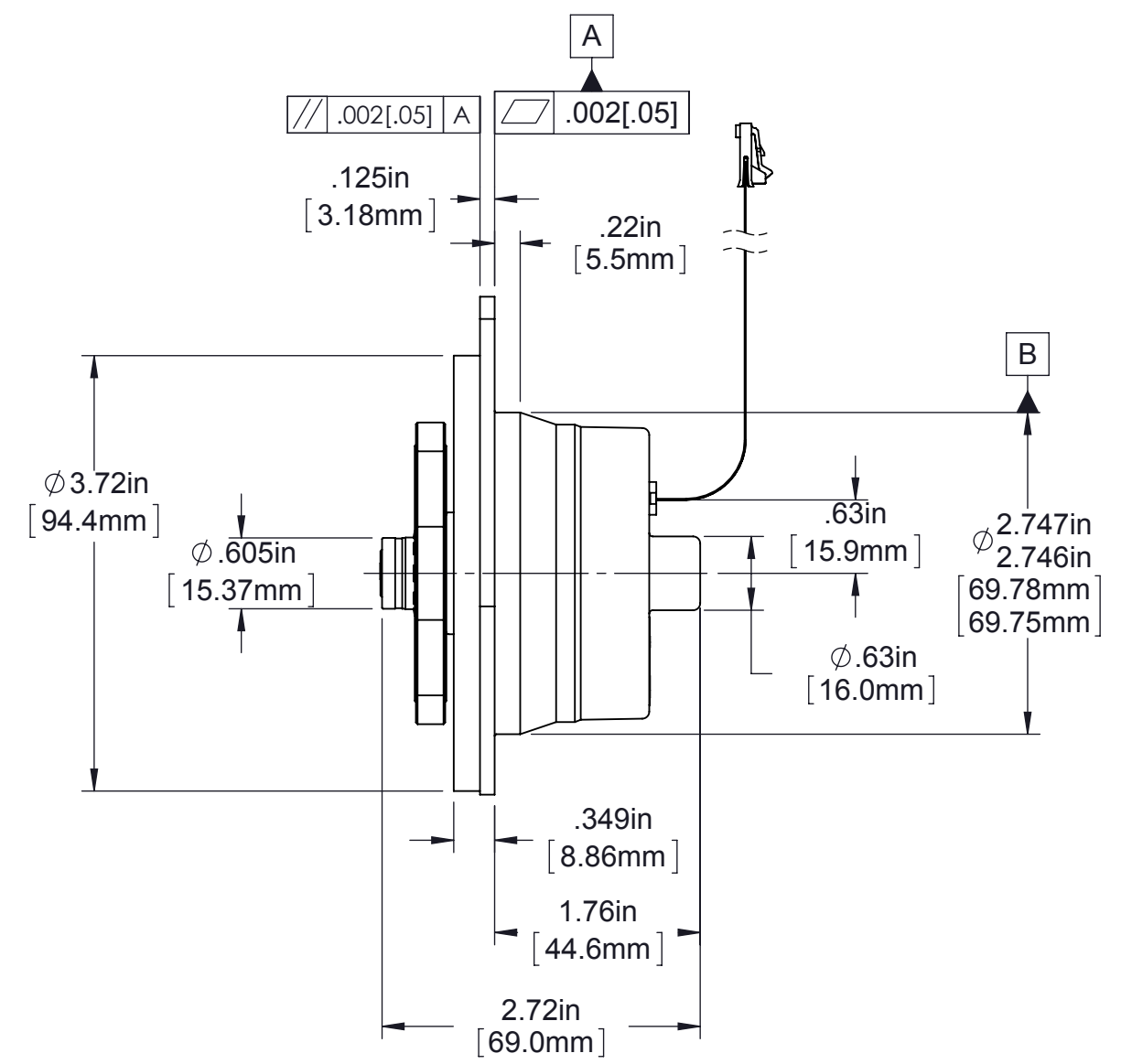
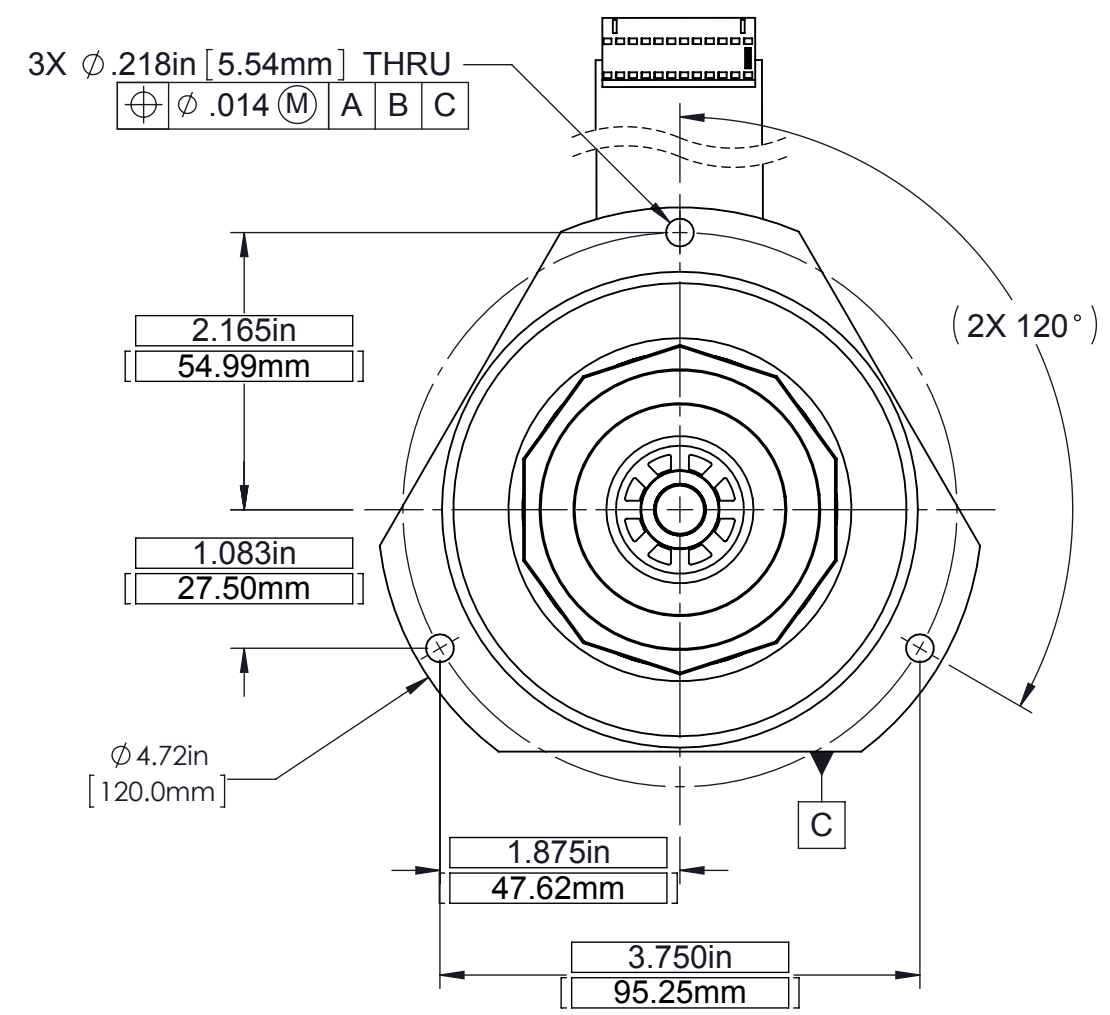


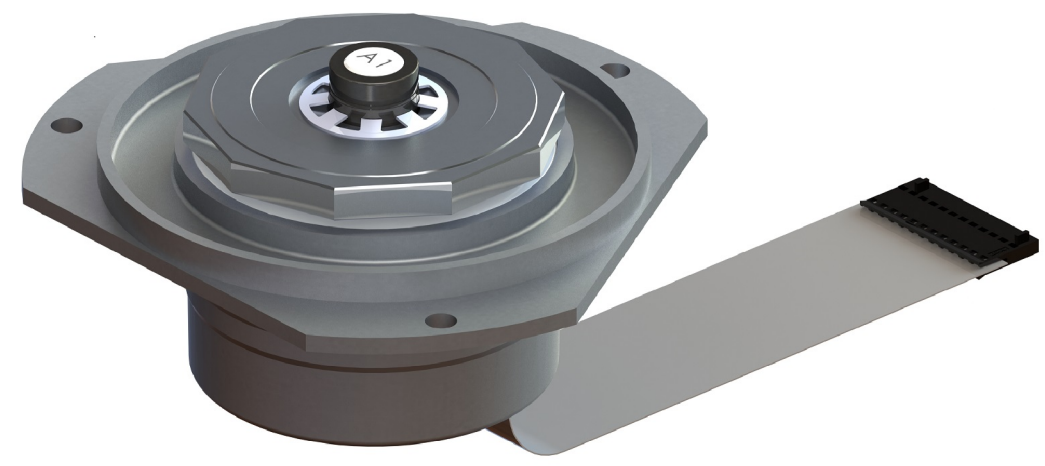
8 7 6 5 4 3 2 1

D
C
B
A

D
C
B
A



Model	SA24C
Min Speed (RPM)	6,000
Max Speed (RPM)	24,000
Mirror Size Thick x Dia. (Max Inches)	0.40 X 3.00
Bearing Type	Aerodynamic
Housing Type	Cantilevered
Dynamic Track (Arc Sec)	≤20
Speed Stability (dep. on speed)	< 0.02%
Encoder Available	No



"ALL SPECIFICATIONS SUBJECT TO CHANGE WITHOUT NOTICE"



SA24C

8 7 6 5 4 3 2 1