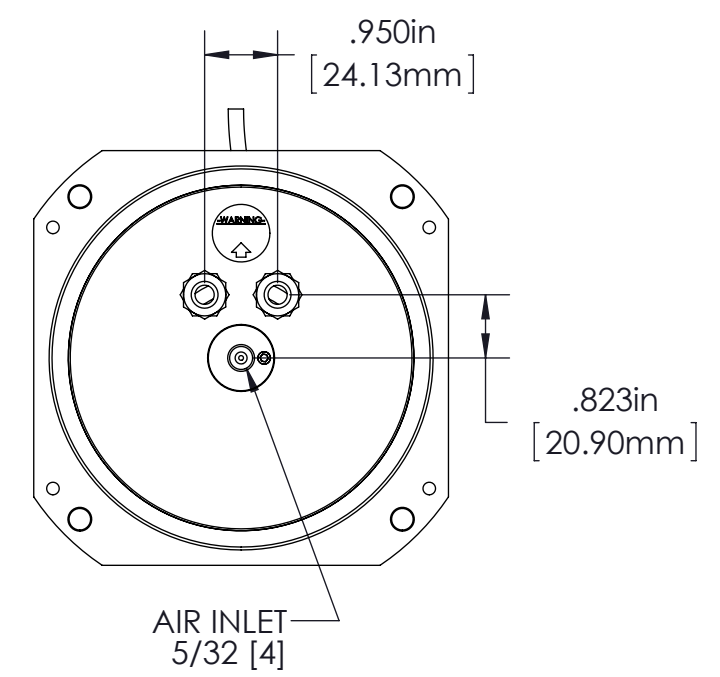
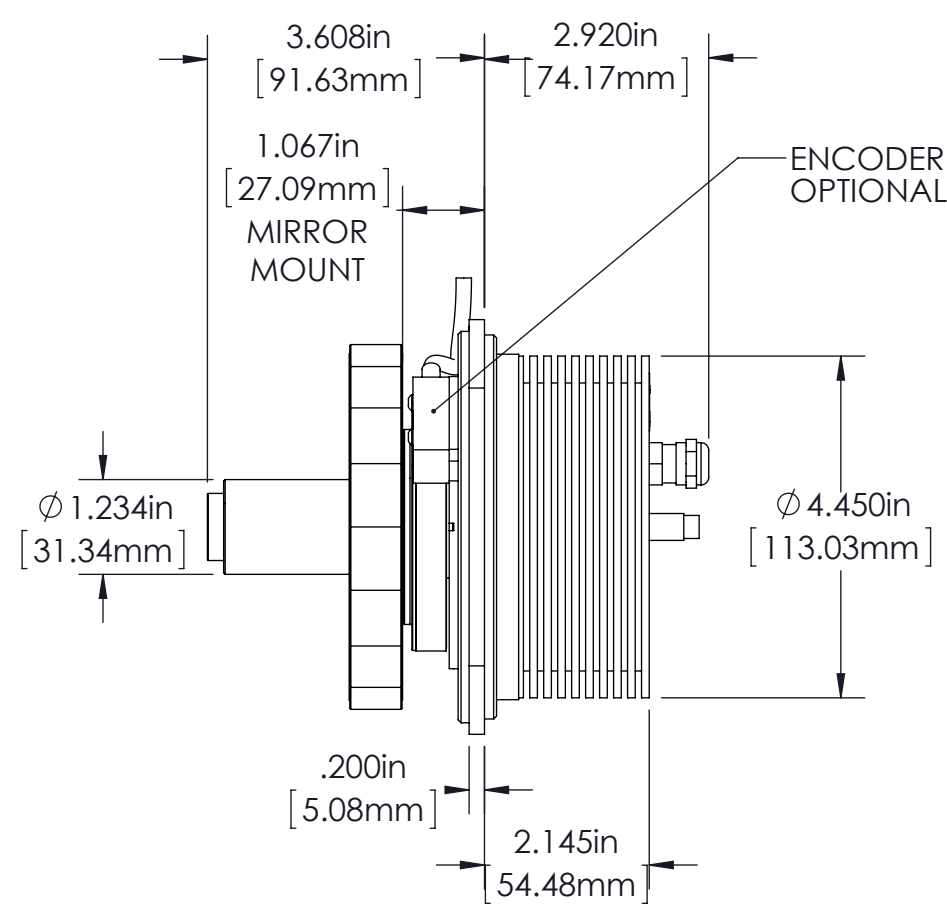
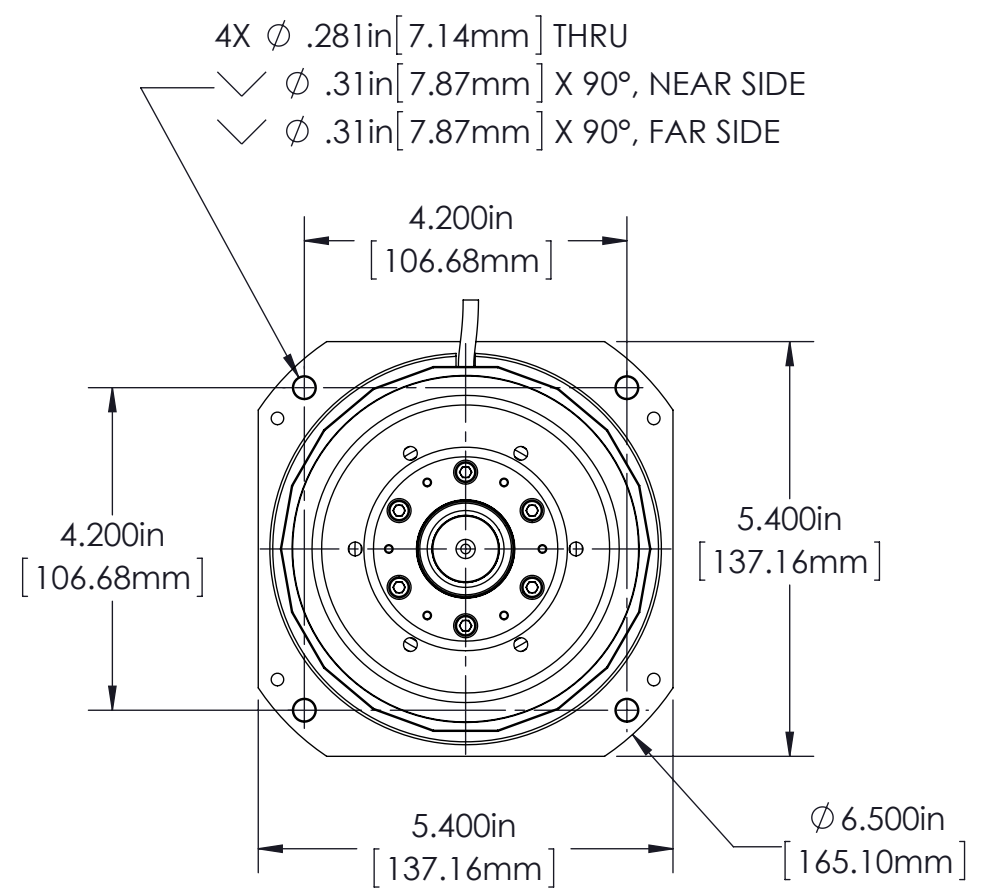


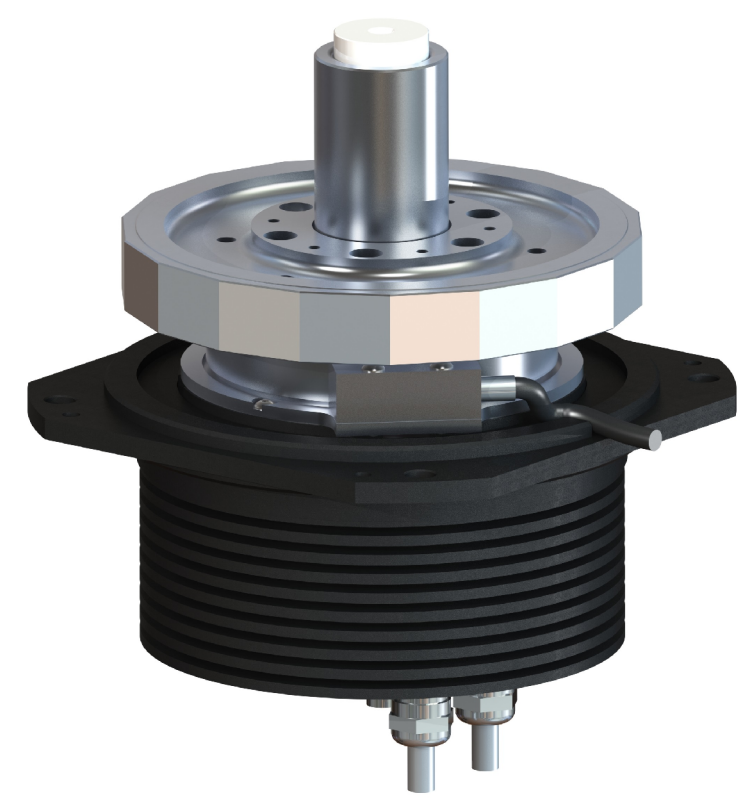
8 7 6 5 4 3 2 1

D
C
B
A

D
C
B
A



Model	PHCAB
Min Speed (RPM)	0
Max Speed (RPM)	30,000
Mirror Size Thick x Dia. (Max Inches)	1.00 X 5.00
Bearing Type	Aerostatic
Housing Type	Cantilevered
Dynamic Track (Arc Sec)	≤ 10
Speed Stability (dep. on speed)	< 0.02%
Encoder Available	Yes



"ALL SPECIFICATIONS SUBJECT TO CHANGE WITHOUT NOTICE"



PHCAB

8 7 6 5 4 3 2 1