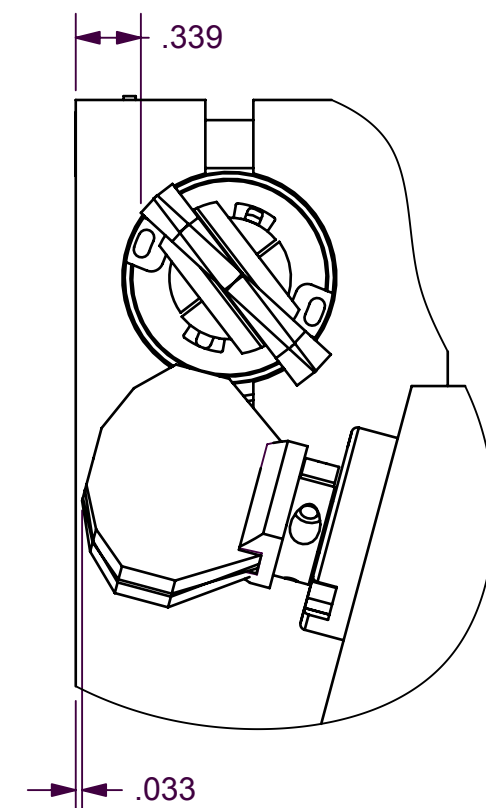
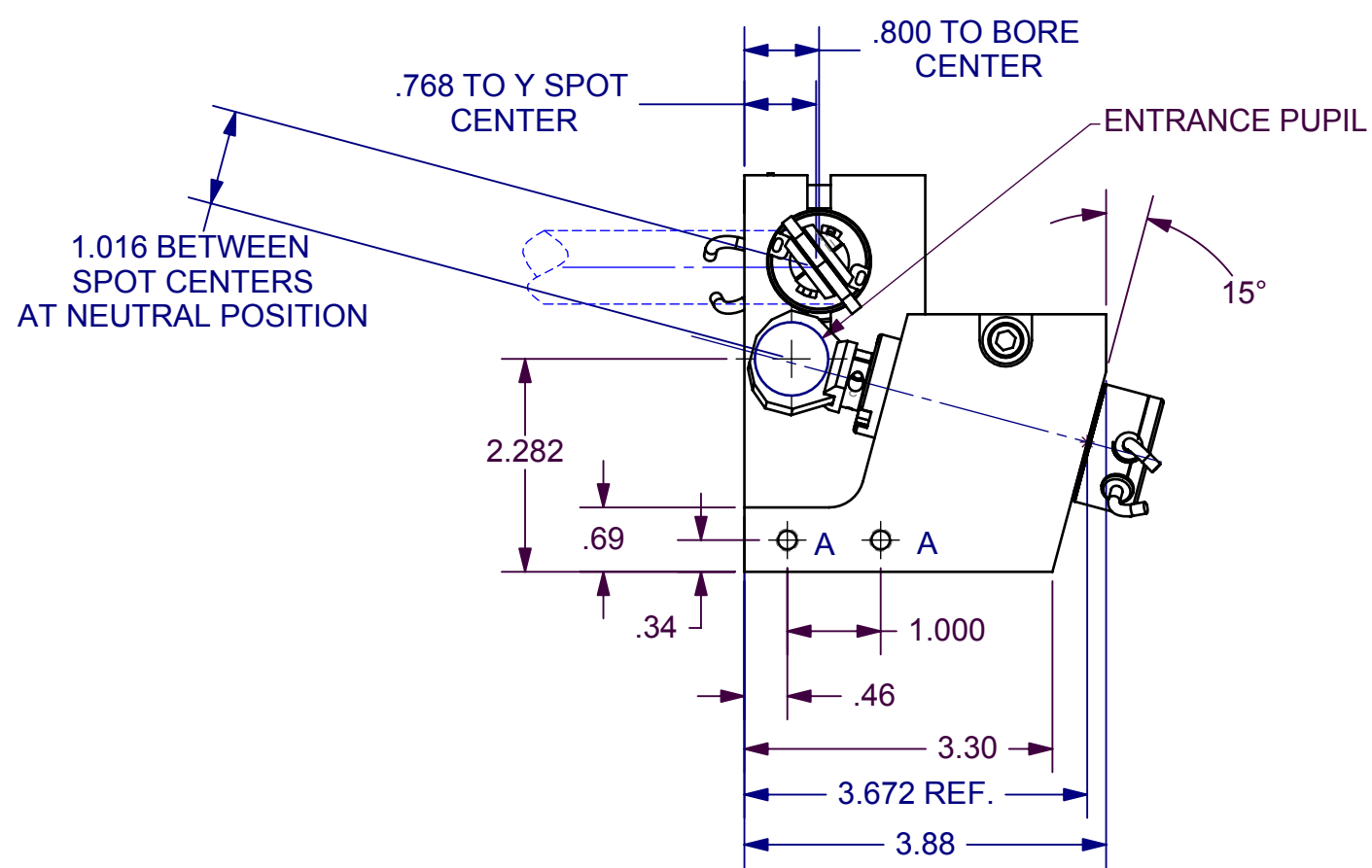
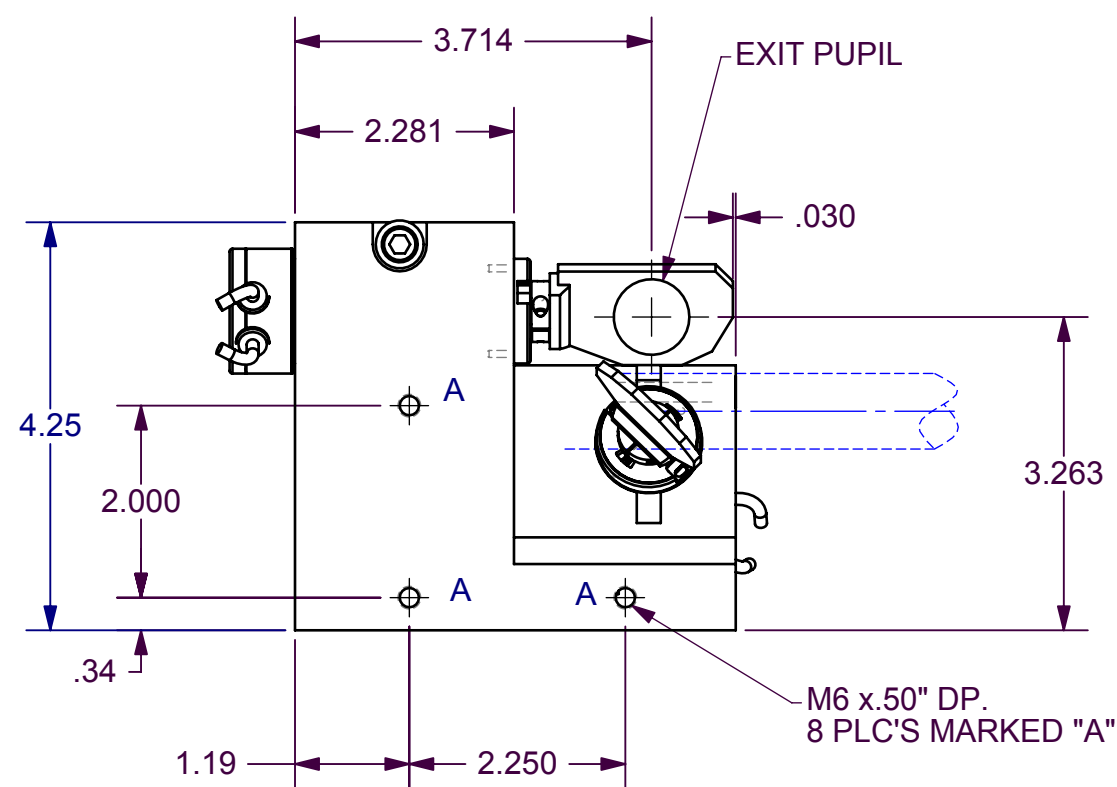
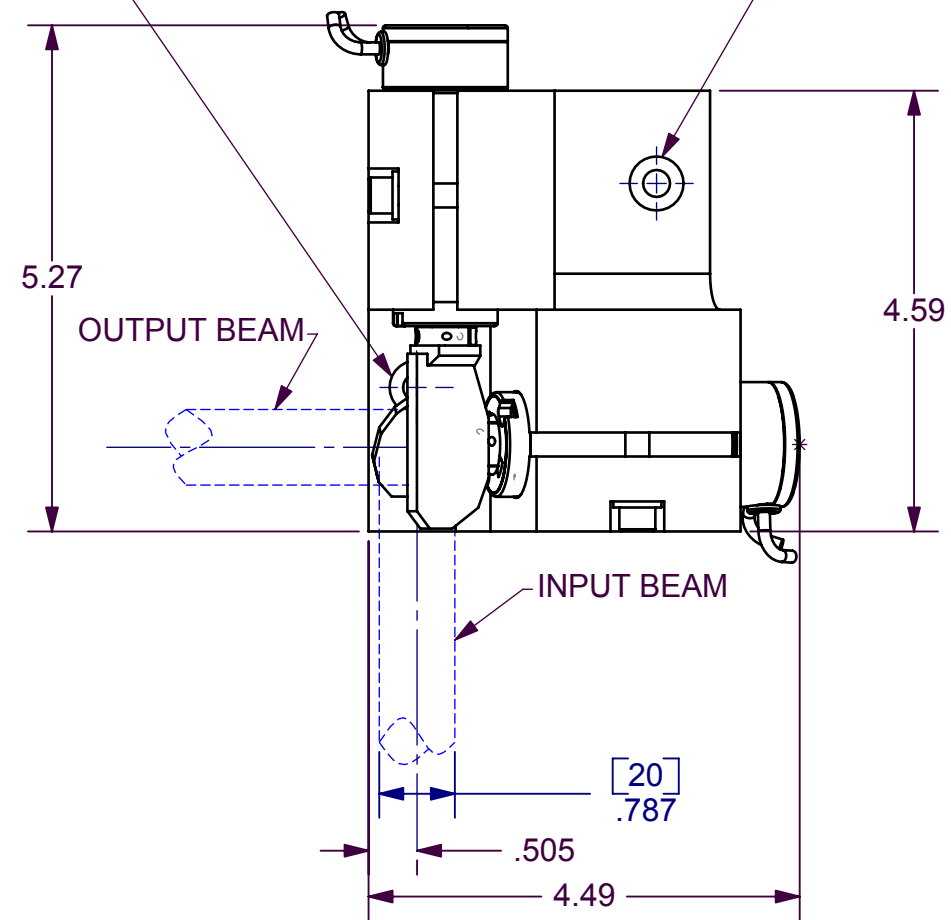
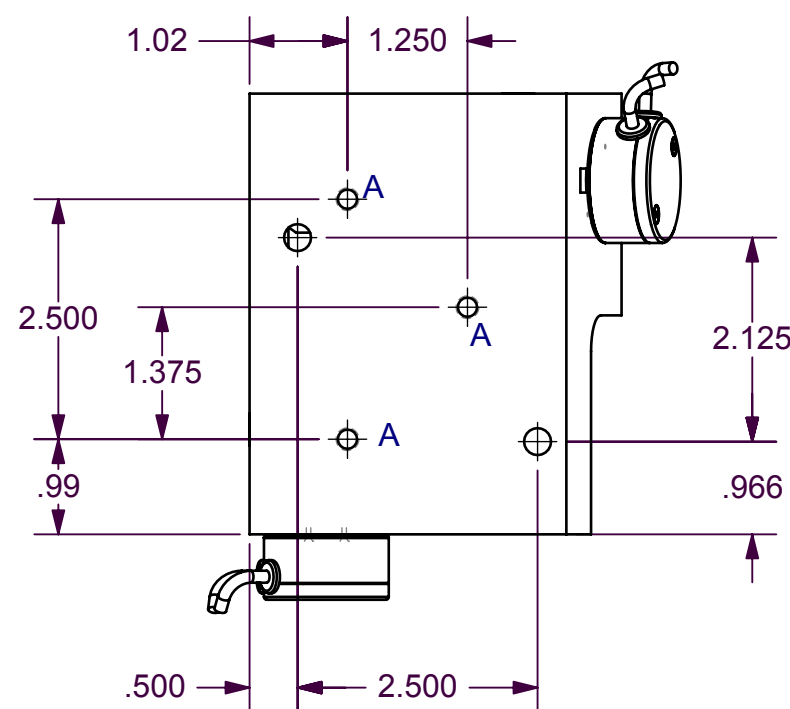


Ø .281 THRU
Ø .562 C'BORE TO .31 DP.

Ø .281 THRU
Ø .562 C'BORE TO .58 DP.



AUXILIARY VIEW
SCALE 1:1
DIMENSIONS ON THIS VIEW REPRESENT SMALLEST
DISTANCES DURING MIRRORS' FULL ANGULAR RANGE.



- NOTES:
1. ALL DIMENSIONS ARE FOR REFERENCE ONLY.
2. RECOMMENDED X-Y MOUNT CLAMP SCREW TORQUE = 140 in*lb (15.82 N*m).
3. CLAMP SCREW TORQUE TOLERANCE = ±5%.

For Reference Only
Do NOT use for your design!

Contact CTI for the latest information on
the product of your interest.