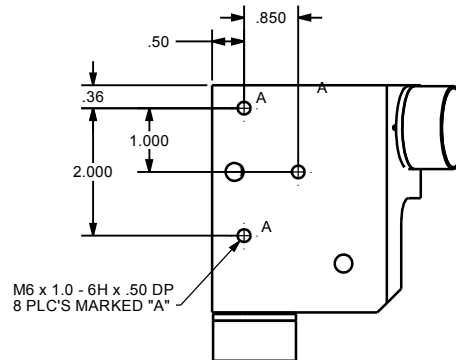
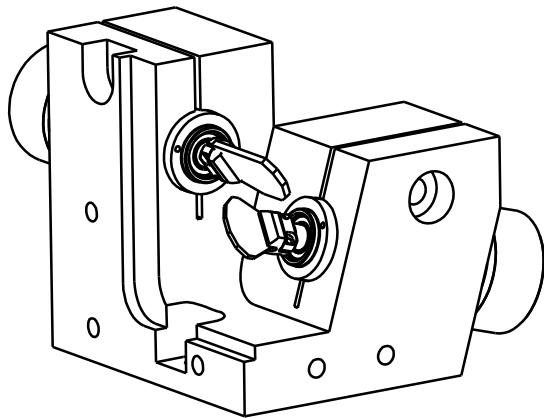


AUXILLIARY VIEW
SCALE 2:1
DIMENSIONS ON THIS VIEW REPRESENT SMALLEST
DISTANCES DURING MIRRORS' FULL ANGULAR RANGE



- NOTES:
 1. ALL DIMENSIONS ARE FOR REFERENCE ONLY.
 2. RECOMMENDED XY MOUNT CLAMP SCREW TORQUE: 115 in*lb (12.99 N*m)
 3. CLAMP SCREW TORQUE TOLERANCE = ±5%.

For Reference Only
 Do NOT use for your design!

Contact CTI for the latest information on
 the product of your interest.