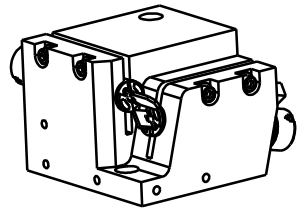
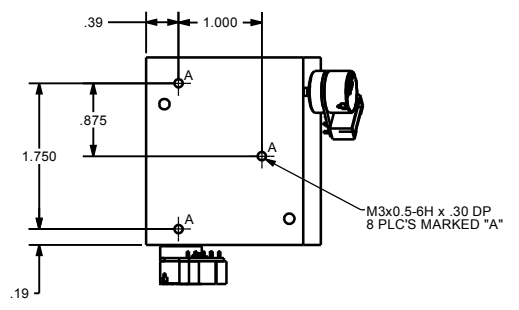
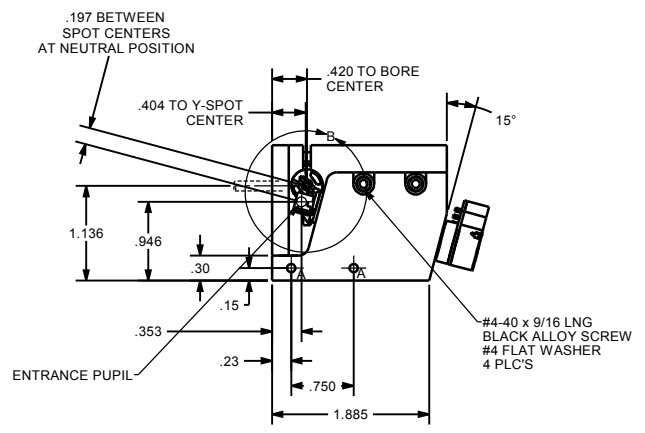
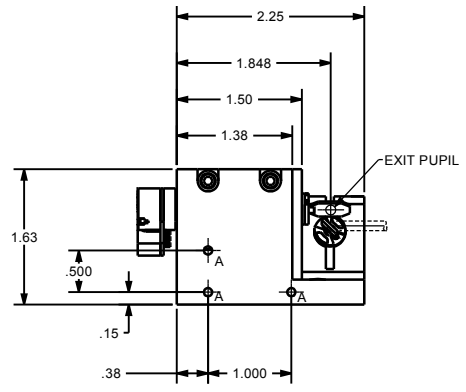
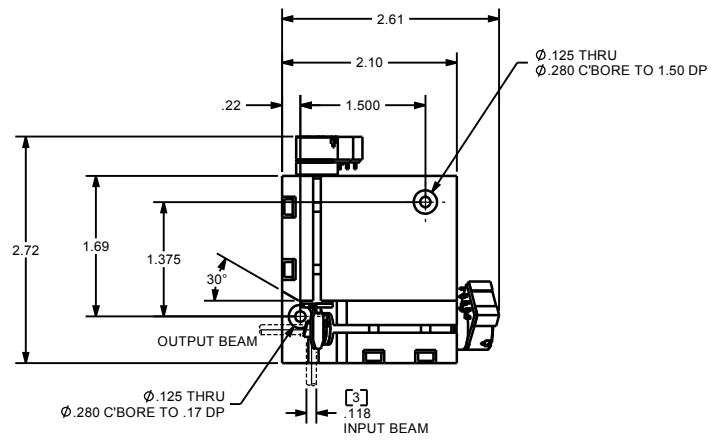


DIMENSIONS ON THIS VIEW REPRESENT SMALLEST DISTANCES DURING MIRRORS' FULL ANGULAR RANGE



- NOTES:
1. ALL DIMENSIONS ARE FOR REFERENCE ONLY.
 2. RECOMMENDED XY MOUNT CLAMP SCREW TORQUE = 14 in*lb (1.58 N*m)
 3. CLAMP SCREW TORQUE TOLERANCE = +/- 10%

For Reference Only
Do NOT use for your design!

Contact CTI for the latest information on the product of your interest.