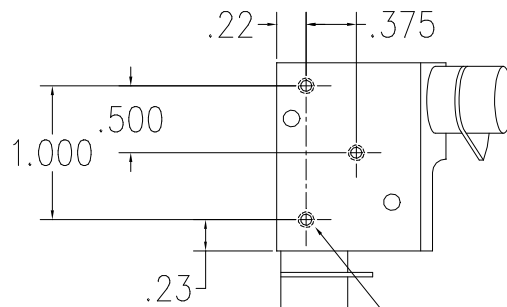


.191 BETWEEN SPOT CENTERS AT NEUTRAL POSITION



NOTES:

1. ALL DIMENSIONS ARE FOR REFERENCE ONLY.
2. RECOMMENDED XY MOUNT CLAMP SCREW TORQUE = 10 in*lbf (1.13 N*m).
3. CLAMP SCREW TORQUE TOLERANCE = $\pm 10\%$.

For Reference Only
Do NOT use for your design!

Contact CTI for the latest information on the product of your interest.