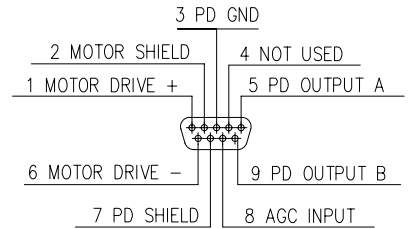
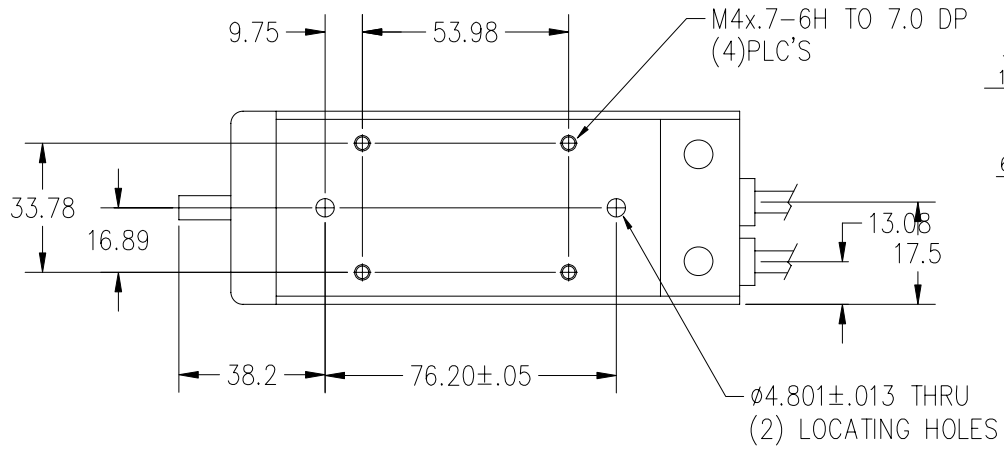
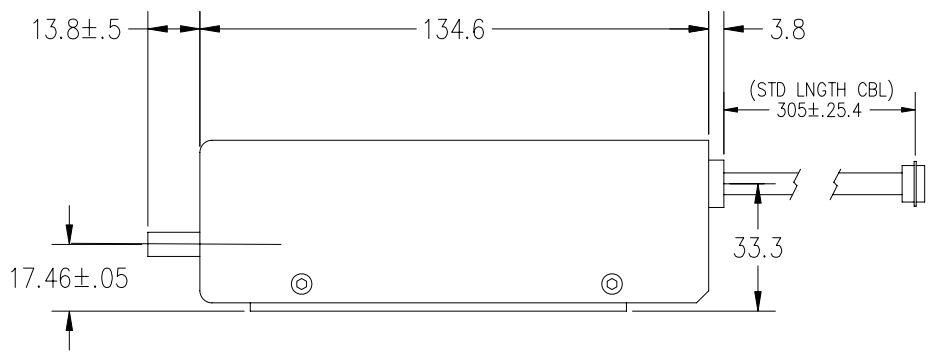


Ø6.344±.000
Ø6.344±.003 SHAFT



MASS = 1Kgm
 TOL. .X=±.3
 .XX=±.13
 (ALL DIMS ARE IN mm)

For Reference Only
 Do NOT use for your design!
 Contact CTI for the latest information on
 the product of your interest.