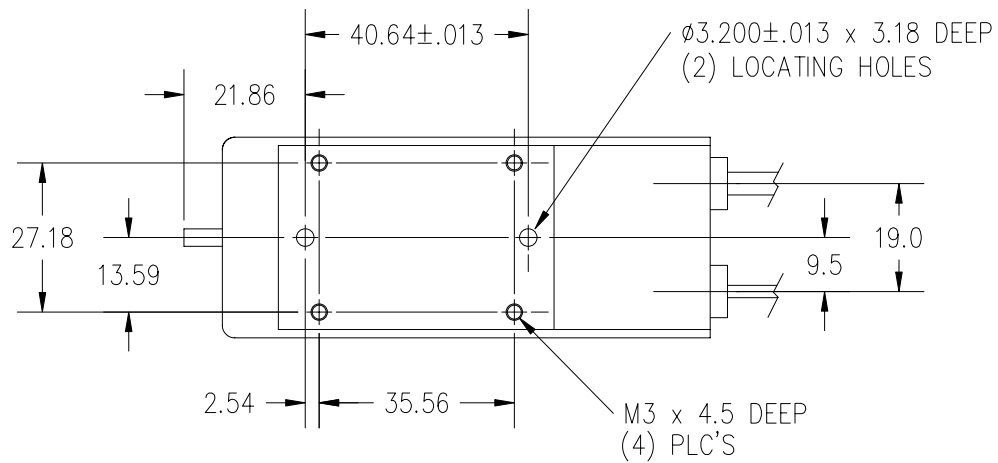
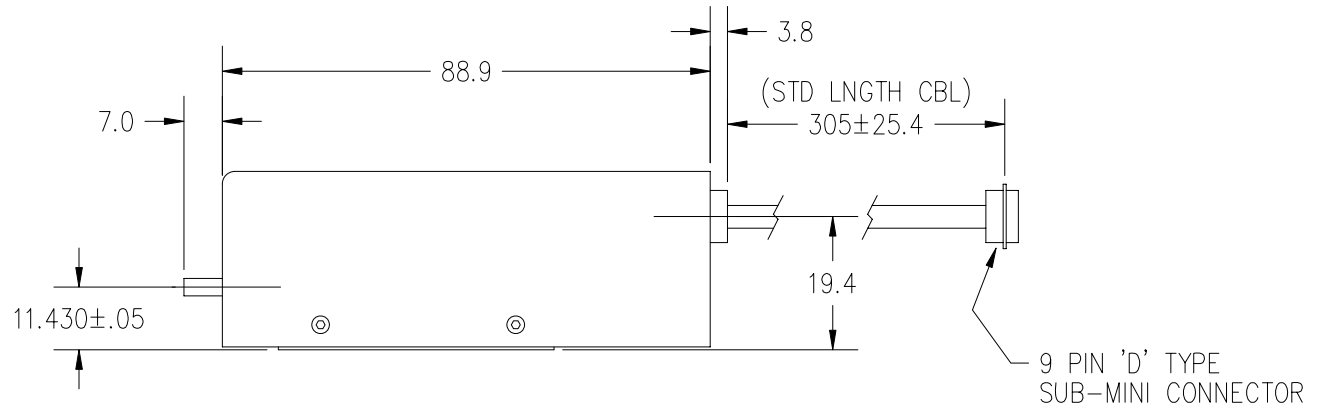


$\varnothing 3.169 \pm .000$ SHAFT



MASS = 340gm
DIMS ARE IN mm

TOL

.XX = .3

.XXX = .13

For Reference Only
Do NOT use for your design!

Contact CTI for the latest information on
the product of your interest.