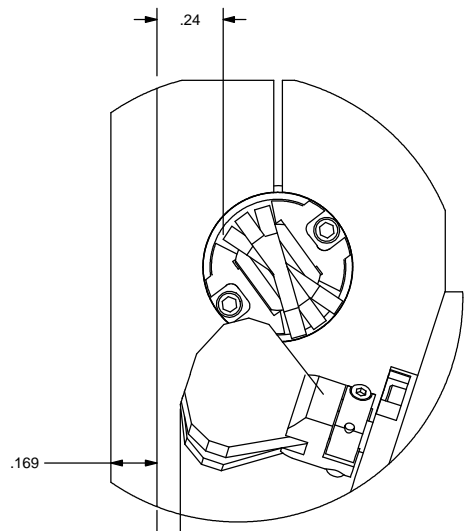
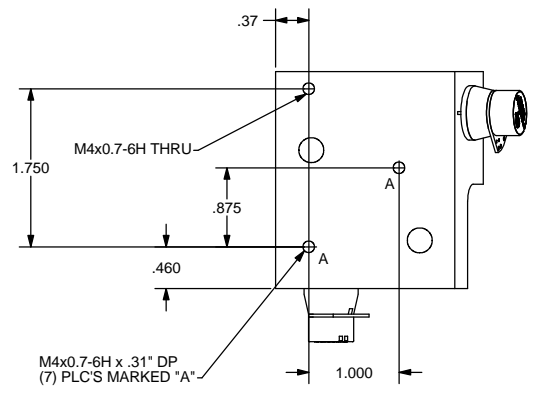
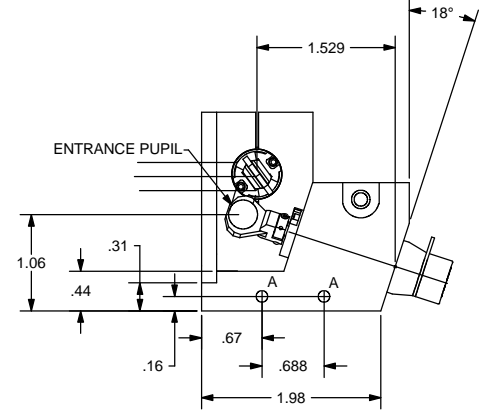
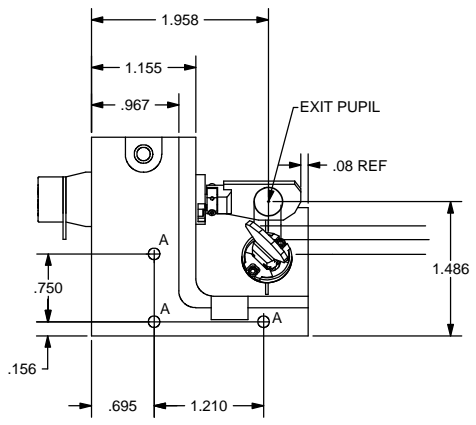
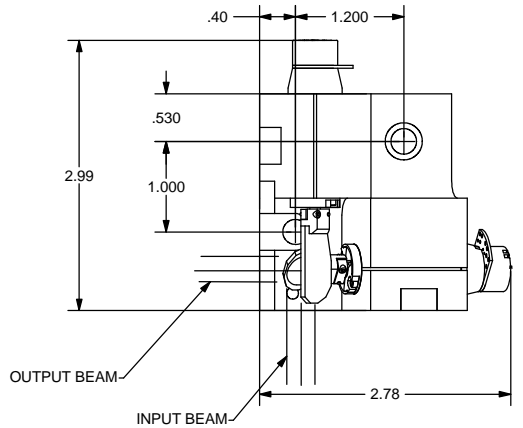


REVISIONS				
ECO	REV	DESCRIPTION	APPR	DATE



.09 REPRESENTS SMALLEST DISTANCE DURING MIRRORS' FULL MECHANICAL ANGULAR RANGE

AUXILIARY VIEW
Scale = 3x

These drawings and specifications are the property of CAMBRIDGE TECHNOLOGY and shall not be reproduced, or copied, or used as the basis for the manufacture, or sale of apparatus without the written permission of CAMBRIDGE TECHNOLOGY, INC.

UNLESS OTHERWISE SPECIFIED TOLERANCES	DRN	CAMBRIDGE TECHNOLOGY, INC. 109 SMITH PLACE CAMBRIDGE, MA 02138 - USA
.XX± .010 ANGLES± 0°-30'	ENG JHL 08/19/02	
.XXX± .005	APPR	TITLE
.XXXX± .0005	PROJECTION	6220 XY MOUNT INTERFACE, RH 8mmDIA, ±20° OPT
[] INDICATES mm	DRAWING SIZE: C	DRW. NO.
SURFACE ROUGHNESS ⁶³		D05173
BREAK ALL SHARP EDGES	MATERIAL	REVISION
D05171	FINISH	A
USED ON	SCALE 1:1	SHEET 1 OF 1