

**6800HP 3mm Mirror Diagram  
X Mirror Diagram**

$J = 1.60\text{MGM}\cdot\text{CM}^2$

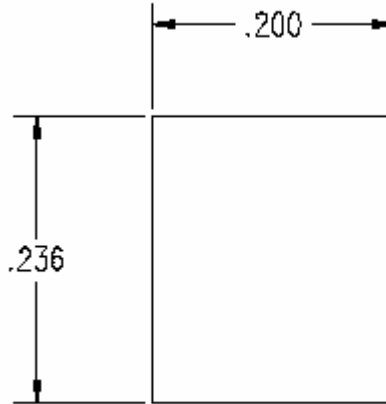
**Notes:**

**(Substrate)**

1. Flatness:  $\lambda / 1$  @ 633nm
2. Scratch/Dig: 60/40
3. Maximum Chamfer .005
4. Polish both sides

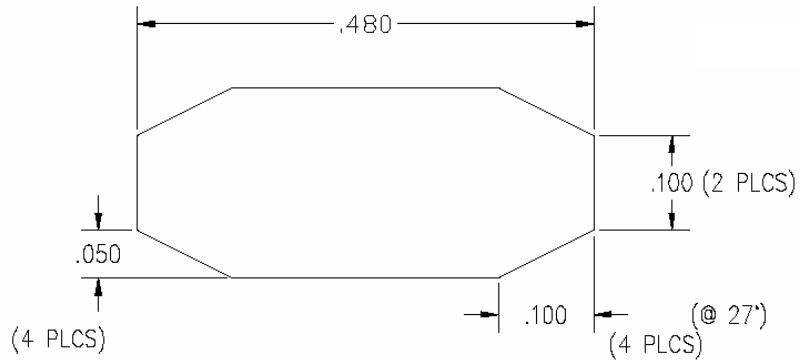
**(Coating)**

1. Reflective coating on one side
2. Consult CTI engineering for irradiance power ratings.



**Y Mirror Diagram**

$J = 1.85\text{MGM}\cdot\text{CM}^2$



**Notes: (Substrate)**

1. Flatness:  $\lambda / 1$  @ 633nm
2. Scratch/Dig: 60/40
3. Maximum chamfer .005
4. Polish Both Sides