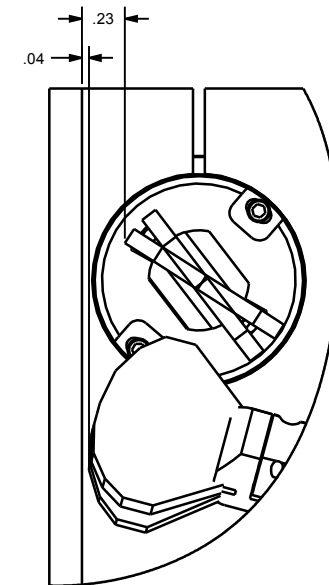
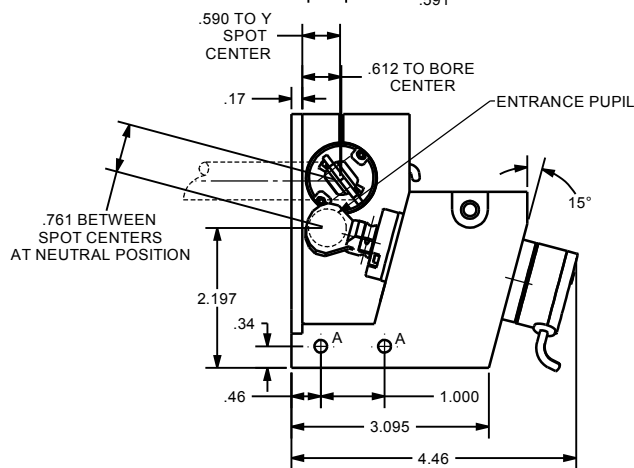
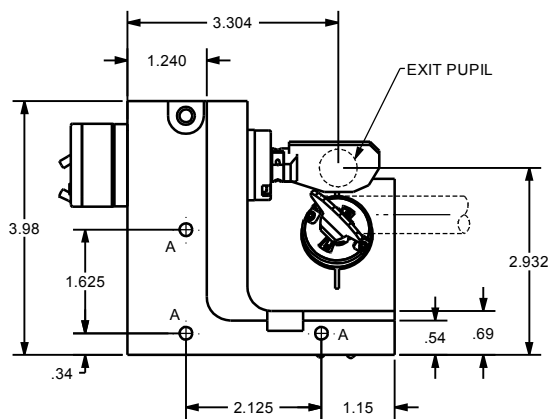
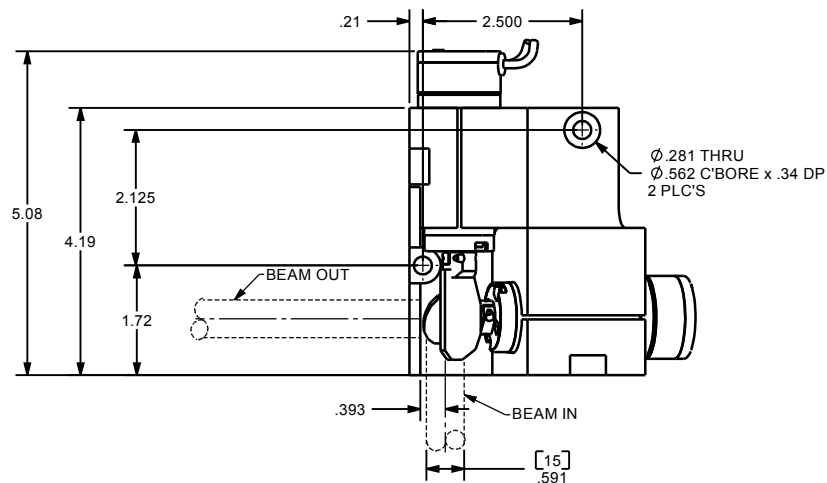
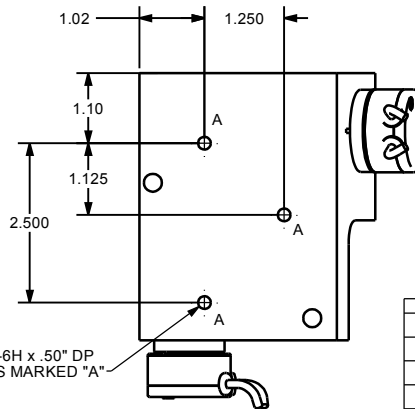
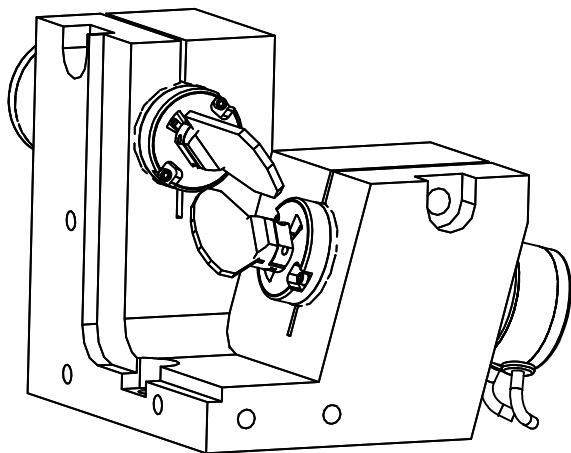


REVISIONS				
ECO	REV	DESCRIPTION	APPR	DATE
3598	D	CONVERT DRAWING TO SOLIDWORKS, UPDATE DIMENSIONS TO STANDARD FORMAT	JZ	Oct-06



AUXILIARY VIEW
SCALE 2:1
DIMENSIONS ON THIS VIEW REPRESENT SMALLEST DISTANCES DURING MIRRORS' FULL ANGULAR RANGE



- NOTES:
 1. ALL DIMENSIONS ARE FOR REFERENCE ONLY.
 2. RECOMMENDED XY MOUNT CLAMP SCREW TORQUE: 105 in*lb (11.86 N*m)
 3. CLAMP SCREW TORQUE TOLERANCE = ±5%.

These drawings and specifications are the property of CAMBRIDGE TECHNOLOGY and shall not be reproduced, or copied, or used as the basis for the manufacture, or sale of apparatus without the written permission of CAMBRIDGE TECHNOLOGY, INC.

UNLESS OTHERWISE SPECIFIED DIMENSIONS ARE IN INCHES TOLERANCES		DRN		CAMBRIDGE TECHNOLOGY, INC. 109 SMITH PLACE CAMBRIDGE, MA 02138 - USA
.XX± .010	ANGLES± 0°-30'	ENG		
.XXX± .005	.XXXX± .0005	APPR		
[] INDICATES mm		PROJECTION		TITLE
MATERIAL	N/A	DRAWING SIZE: C		6240 XY MOUNT INTERFACE, RH Ø15mm BEAM, 40° OPT.
6102415R40	FINISH	N/A		DRW. NO. D04458
USED ON				REVISION D
				SCALE 2:3 SHEET 1 OF 1