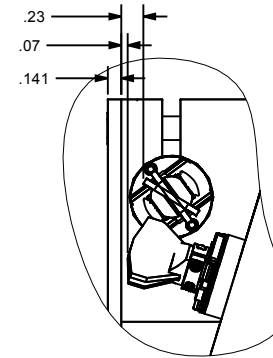
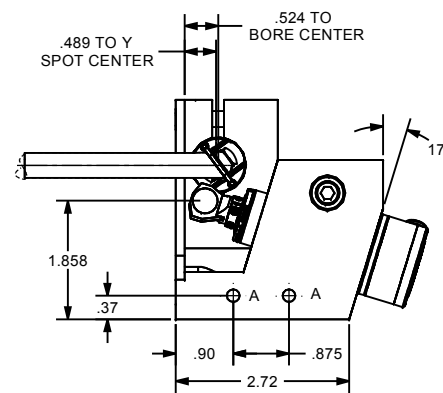
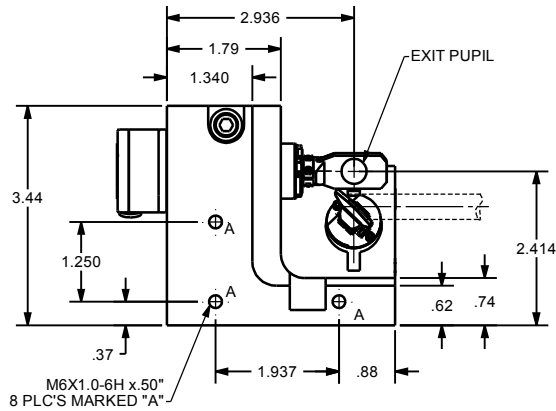
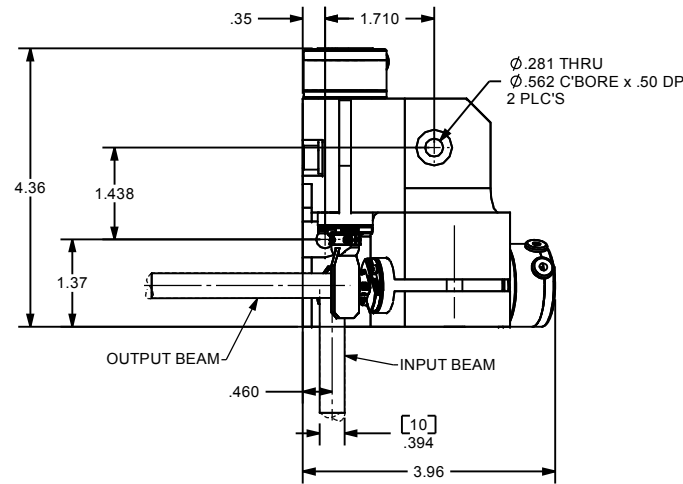
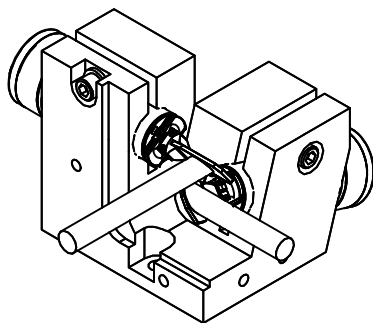
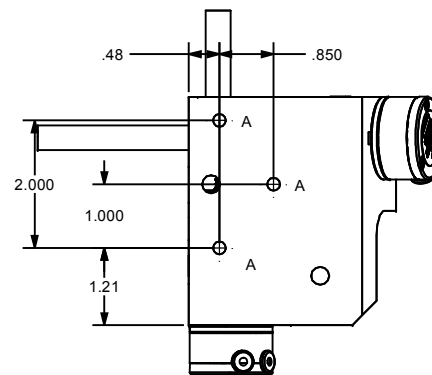


ECO	REV	DESCRIPTION	APPR	DATE
4032	E	CHANGE OUT BEAM POSITION	JZ	Nov-07



AUXILIARY VIEW
SCALE 1:1
DIMENSIONS ON THIS VIEW REPRESENT SMALLEST DISTANCES DURING MIRRORS' FULL ANGULAR RANGE



- NOTES:
 1. ALL DIMENSIONS ARE FOR REFERENCE ONLY.
 2. RECOMMENDED XY MOUNT CLAMP SCREW TORQUE = 115 in"lbf (12.99 N*m)
 3. CLAMP SCREW TORQUE TOLERANCE = +/- 5%.

These drawings and specifications are the property of CAMBRIDGE TECHNOLOGY and shall not be reproduced, or copied, or used as the basis for the manufacture, or sale of apparatus without the written permission of CAMBRIDGE TECHNOLOGY, INC.

UNLESS OTHERWISE SPECIFIED DIMENSIONS ARE IN INCHES TOLERANCES		DRN	CAMBRIDGE TECHNOLOGY, INC. 25 HARTWELL AVENUE LEXINGTON, MA 02421	
.XX± .010	ANGLES± 0°-30'	ENG JZ	11-18-07	TITLE 6230 XY MOUNT INTERFACE, RH Ø 10mm BEAM, 50° OPT.
.XXX± .005	.XXX± .0005	APPR		
[] INDICATES mm		PROJECTION		DRW. NO.
				D04282
MATERIAL	N/A	DRAWING SIZE: C		REVISION
6102310R	FINISH	N/A		E
USED ON				SCALE 2:3
				SHEET 1 OF 1